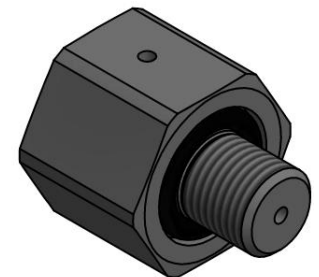
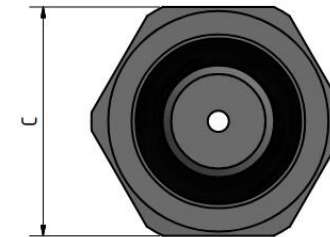
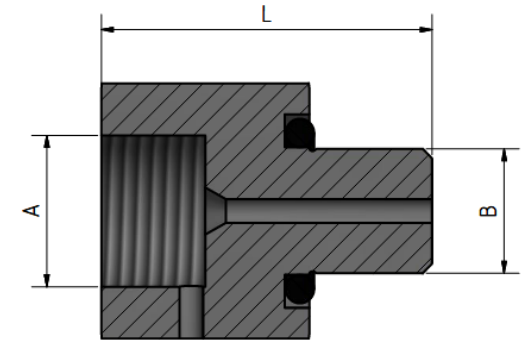


## Adapter BSP – thread male

All adapters are designed for an operating pressure of 1.600 bar.  
Collar and gland are included in the scope of delivery.

pipe ∅	material	dimension				part number	
		A	B [mm]	C [mm]	L [mm]	60°	120°
3/16"	1.4542	M16x1,5	G 1/4"	SW 22	35	3MV1-01600-13-2	
1/4"	1.4542				35	3MV2-01600-13-2	
3/8"	1.4542	M20x1,5		SW 27	40	3MV3-01600-13-2	
9/16"	1.4542	M30x2		SW 36	45	3MV4-01600-13-2	
3/4"	1.4542	M26x2		SW 55	50		3MF5-01600-13-2
1"	1.4542	M36x2			60	3MF6-01600-13-2	
30mm	1.4542	M42x2		SW 60	60		3MF7-01600-13-2
1 1/2"	1.4542	M48x2			70	3MF8-01600-13-2	
3/16"	1.4542	M16x1,5	G 3/8"	SW 22	35	3MV1-01600-13-3	
1/4"	1.4542				35	3MV2-01600-13-3	
3/8"	1.4542	M20x1,5		SW 27	40	3MV3-01600-13-3	
9/16"	1.4542	M30x2		SW 36	45	3MV4-01600-13-3	
3/4"	1.4542	M26x2		SW 55	50		3MF5-01600-13-3
1"	1.4542	M36x2			60	3MF6-01600-13-3	
30mm	1.4542	M42x2		SW 60	60		3MF7-01600-13-3
1 1/2"	1.4542	M48x2			70	3MF8-01600-13-3	



## Adapter BSP – thread male

All adapters are designed for an operating pressure of 1.600 bar.  
Collar and gland are included in the scope of delivery.

pipe ∅	material	dimension				part number	
		A	B [mm]	C [mm]	L [mm]	60°	120°
3/16"	1.4542	M16x1,5	G 1/2"	SW 22	40	3MV1-01600-13-4	
1/4"	1.4542				40	3MV2-01600-13-4	
3/8"	1.4542	M20x1,5		SW 27	45	3MV3-01600-13-4	
9/16"	1.4542	M30x2		SW 36	50	3MV4-01600-13-4	
3/4"	1.4542	M26x2			55		3MF5-01600-13-4
1"	1.4542	M36x2		SW 55	65		3MF6-01600-13-4
30mm	1.4542	M42x2			65		3MF7-01600-13-4
1 1/2"	1.4542	M48x2		SW 60	75		3MF8-01600-13-4

