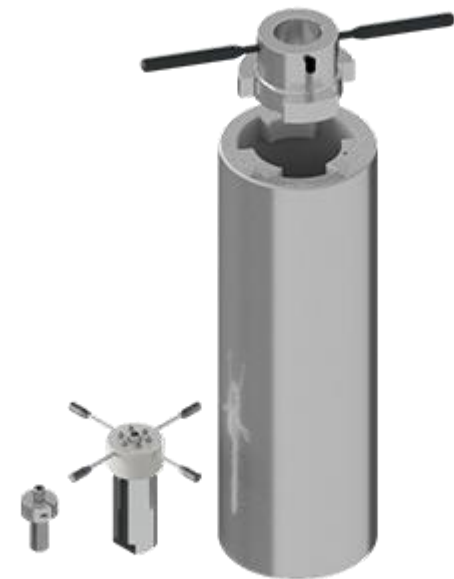


## Pressure vessel 1.000 bar

The permissible operating pressure can change depending on the operating temperature and the yield point of the material. However, the pressure does not fall below the nominal pressure of 1000 bar.

dimension			volume	part number
O.D. [mm]	I.D. [mm]	usable depth [mm]	[dm <sup>3</sup> ]	
63	50,5	63	0,126	8206-01000-0063
		100	0,200	8206-01000-0100
		160	0,320	8206-01000-0160
		250	0,5	8206-01000-0250
		400	0,8	8206-01000-0400
100	85	100	0,6	8210-01000-0100
		160	0,9	8210-01000-0160
		250	1,4	8210-01000-0250
		400	2,3	8210-01000-0400
		630	3,6	8210-01000-0630
160	135	100	1,4	8216-01000-0100
		160	2,3	8216-01000-0160
		250	3,6	8216-01000-0250
		400	5,7	8216-01000-0400
		630	9,0	8216-01000-0630



## Pressure vessel 1.000 bar

The permissible operating pressure can change depending on the operating temperature and the yield point of the material. However, the pressure does not fall below the nominal pressure of 1.000 bar.

dimension			volume	part number
O.D. [mm]	I.D [mm]	usable depth [mm]	[dm <sup>3</sup> ]	
250	215	160	5,8	8225-01000-0160
		250	9,1	8225-01000-0250
		400	14,5	8225-01000-0400
		630	22,8	8225-01000-0630
		1.000	36,3	8225-01000-1000
400	330	160	13,7	8240-01000-0160
		250	21,4	8240-01000-0250
		400	34,2	8240-01000-0400
		630	53,8	8240-01000-0630
		1.000	85,4	8240-01000-1000

