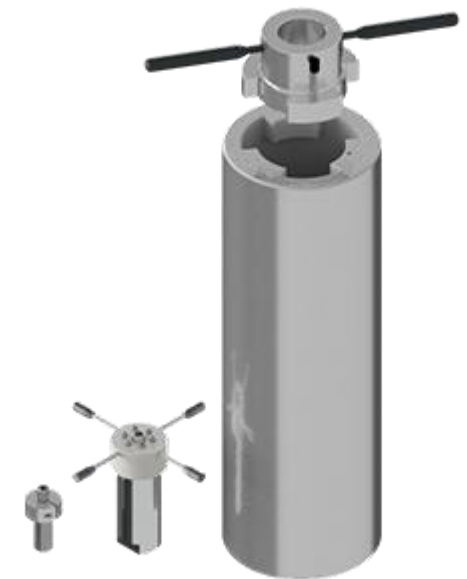


Pressure vessel 250 bar

The permissible operating pressure can change depending on the operating temperature and the yield point of the material. However, the pressure does not fall below the nominal pressure of 250 bar.

O.D. [mm]	dimension		volume [dm ³]	part number
	I.D. [mm]	usable depth [mm]		
63	50,5	100	0,200	8206-00250-0100
		160	0,320	8206-00250-0160
		250	0,500	8206-00250-0250
		400	0,800	8206-00250-0400
		630	1,26	8206-00250-0630
100	80	100	0,50	8210-00250-0100
		160	0,80	8210-00250-0160
		250	1,26	8210-00250-0250
		400	2,01	8210-00250-0400
		630	3,16	8210-00250-0630
160	130	160	2	8216-00250-0160
		250	3	8216-00250-0250
		400	5	8216-00250-0400
		630	8	8216-00250-0630
		1.000	13	8216-00250-1000



Pressure vessel 250 bar

The permissible operating pressure can change depending on the operating temperature and the yield point of the material. However, the pressure does not fall below the nominal pressure of 250 bar.

dimension			volume	part number
O.D. [mm]	I.D. [mm]	usable depth [mm]	[dm ³]	
250	210	250	9	8225-00250-0250
		400	14	8225-00250-0400
		630	22	8225-00250-0630
		1.000	35	8225-00250-1000
		1.600	55	8225-00250-1600
400	330	400	34	8240-00250-0400
		630	54	8240-00250-0630
		1.000	85	8240-00250-1000
		1.600	137	8240-00250-1600
		2.500	214	8240-00250-2500

