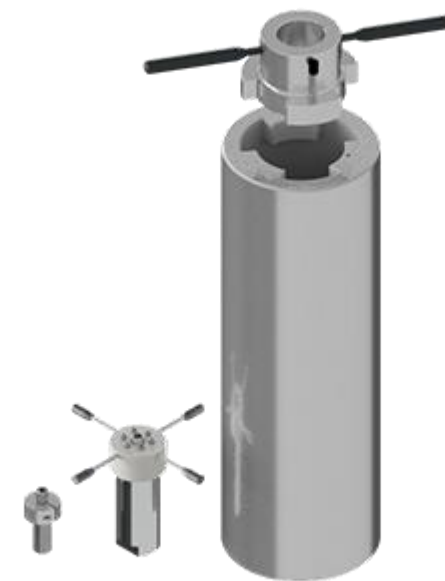


## Pressure vessel 2.500 bar

The permissible operating pressure can change depending on the operating temperature and the yield point of the material. However, the pressure does not fall below the nominal pressure of 2.500 bar.

dimension		usable depth [mm]	volume [dm <sup>3</sup> ]	part number
O.D. [mm]	I.D. [mm]			
50	25	63	0,031	8205-02500-0063
		100	0,049	8205-02500-0100
		160	0,078	8205-02500-0160
		250	0,123	8205-02500-0250
80	40	100	0,130	8208-02500-0100
		160	0,200	8208-02500-0160
		250	0,310	8208-02500-0250
		400	0,500	8208-02500-0400
125	63	100	0,310	8212-02500-0100
		160	0,500	8212-02500-0160
		250	0,780	8212-02500-0250
		400	1,250	8212-02500-0400
		630	1,960	8212-02500-0630



## Pressure vessel 2.500 bar

The permissible operating pressure can change depending on the operating temperature and the yield point of the material. However, the pressure does not fall below the nominal pressure of 2.500 bar.

dimension		usable depth [mm]	volume [dm <sup>3</sup> ]	part number
O.D. [mm]	I.D. [mm]			
200	100	160	1,3	8220-02500-0160
		250	2,0	8220-02500-0250
		400	3,1	8220-02500-0400
		630	4,9	8220-02500-0630
		1.000	7,8	8220-02500-1000
320	160	160	3,2	8232-02500-0160
		250	5,0	8232-02500-0250
		400	8,0	8232-02500-0400
		630	12,7	8232-02500-0630
		1.000	20,1	8232-02500-1000

