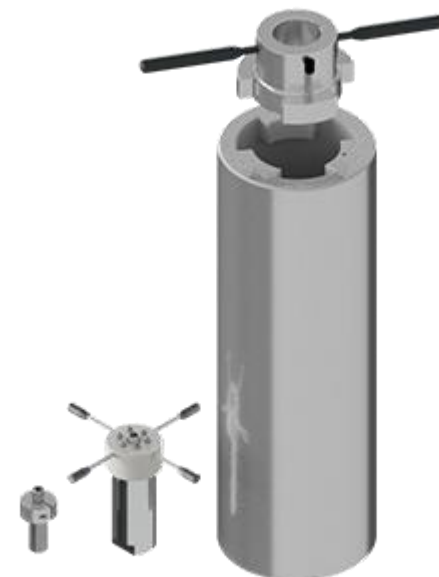


Pressure vessel 420 bar

The permissible operating pressure can change depending on the operating temperature and the yield point of the material. However, the pressure does not fall below the nominal pressure of 420 bar.

dimension		usable depth [mm]	volume [dm ³]	part number
O.D. [mm]	I.D. [mm]			
63	55	63	0,150	8206-00420-0063
		100	0,237	8206-00420-0100
		160	0,380	8206-00420-0160
		250	0,593	8206-00420-0250
		400	0,949	8206-00420-0400
100	85	100	0,6	8210-00420-0100
		160	0,9	8210-00420-0160
		250	1,4	8210-00420-0250
		400	2,3	8210-00420-0400
		630	3,6	8210-00420-0630
160	140	100	1,5	8216-00420-0100
		160	2,5	8216-00420-0160
		250	3,8	8216-00420-0250
		400	6,2	8216-00420-0400
		630	9,7	8216-00420-0630



Pressure vessel 420 bar

The permissible operating pressure can change depending on the operating temperature and the yield point of the material. However, the pressure does not fall below the nominal pressure of 420 bar.

dimension			volume [dm ³]	part number
O.D. [mm]	I.D. [mm]	usable depth [mm]		
250	215	160	5,8	8225-00420-0160
		250	9,1	8225-00420-0250
		400	14,5	8225-00420-0400
		630	22,8	8225-00420-0630
		1000	36,3	8225-00420-1000
400	330	160	13,7	8240-00420-0160
		250	21,4	8240-00420-0250
		400	34,2	8240-00420-0400
		630	53,8	8240-00420-0630
		1000	85,4	8240-00420-1000

