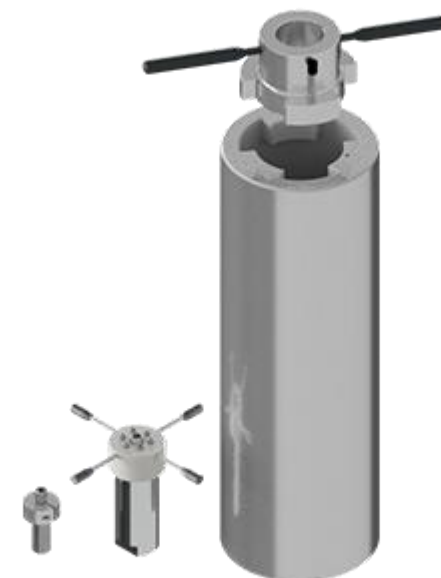


Pressure vessel 700 bar

The permissible operating pressure can change depending on the operating temperature and the yield point of the material. However, the pressure does not fall below the nominal pressure of 700 bar.

dimension			volume	part number
O.D. [mm]	I.D. [mm]	usabel depth [mm]	[dm ³]	
63	50,5	63	0,126	8206-00700-0063
		100	0,200	8206-00700-0100
		160	0,320	8206-00700-0160
		250	0,5	8206-00700-0250
		400	0,8	8206-00700-0400
100	85	100	0,6	8210-00700-0100
		160	0,9	8210-00700-0160
		250	1,4	8210-00700-0250
		400	2,3	8210-00700-0400
		630	3,6	8210-00700-0630
160	135	100	1,4	8216-00700-0100
		160	2,3	8216-00700-0160
		250	3,6	8216-00700-0250
		400	5,7	8216-00700-0400
		630	9,0	8216-00700-0630



Pressure vessel 700 bar

The permissible operating pressure can change depending on the operating temperature and the yield point of the material. However, the pressure does not fall below the nominal pressure of 700 bar.

dimension		usable depth [mm]	volume [dm ³]	part number
O.D. [mm]	I.D. [mm]			
250	210	160	5,5	8225-00700-0160
		250	8,6	8225-00700-0250
		400	13,8	8225-00700-0400
		630	21,8	8225-00700-0630
		1.000	34,6	8225-00700-1000
400	330	160	13,7	8240-00700-0160
		250	21,4	8240-00700-0250
		400	34,2	8240-00700-0400
		630	53,8	8240-00700-0630
		1.000	85,4	8240-00700-1000

