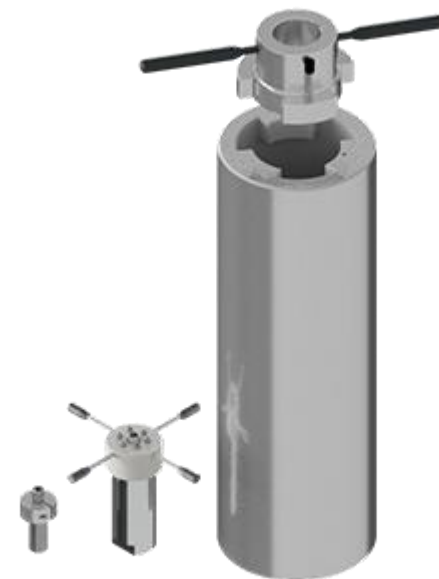


Pressure vessel 7.000 bar

The permissible operating pressure can change depending on the operating temperature and the yield point of the material. However, the pressure does not fall below the nominal pressure of 7.000 bar.

dimension			volume	part number
O.D. [mm]	I.D. [mm]	usable depth [mm]	[dm ³]	
60	16	40	0,008	8206-07000-0040
		63	0,013	8206-07000-0063
		100	0,020	8206-07000-0100
		160	0,032	8206-07000-0160
93	25	63	0,031	8209-07000-0063
		100	0,049	8209-07000-0100
		160	0,078	8209-07000-0160
		250	0,123	8209-07000-0250
150	40	100	0,130	8215-07000-0100
		160	0,200	8215-07000-0160
		250	0,310	8215-07000-0250
		400	0,500	8215-07000-0400



Pressure vessel 7.000 bar

The permissible operating pressure can change depending on the operating temperature and the yield point of the material. However, the pressure does not fall below the nominal pressure of 7.000 bar.

dimension			volume	part number
O.D. [mm]	I.D. [mm]	usable depth [mm]	[dm ³]	
235	63	100	0,310	8223-07000-0100
		160	0,500	8223-07000-0160
		250	0,780	8223-07000-0250
		400	1,250	8223-07000-0400
		630	1,960	8223-07000-0630
373	100	160	1,3	8237-07000-0160
		250	2,0	8237-07000-0250
		400	3,1	8237-07000-0400
		630	4,9	8237-07000-0630
		1.000	7,8	8237-07000-1000

