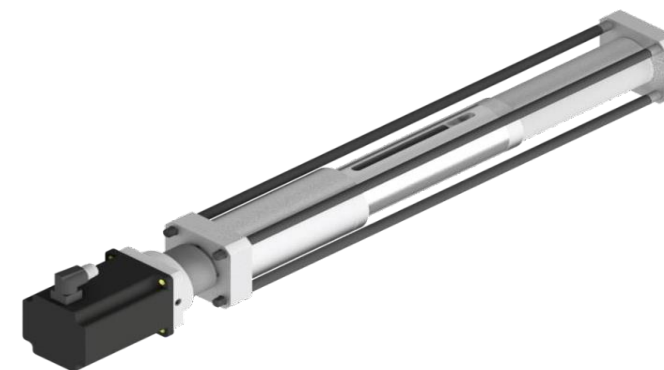


Motor-driven spindle pump

pressure	stroke volume	part number
[bar]	[cm ³]	
160	240	602-00160-32
	848	602-00160-60
	1.700	602-00160-85
250	147	602-00250-25
	590	602-00250-50
	995	602-00250-65
420	94	602-00420-20
	377	602-00420-40
	590	602-00420-50
700	60	602-00700-16
	147	602-00700-25
	377	602-00700-40
1.000	36	602-01000-12
	147	602-01000-25
	289	602-01000-35
1.600	24	602-01600-10
	94	602-01600-20
	212	602-01600-30

2.500	60	602-02500-16
	94	602-02500-20
	147	602-02500-25
	212	602-02500-30
4.200	37	602-04200-12
	60	602-04200-16
	94	602-04200-20
	147	602-04200-25
7.000	24	602-07000-10
	36	602-07000-12
	60	602-07000-16
	94	602-07000-20
10.000	25	602-10000-12
	60	602-10000-16
	76	602-10000-18
16.000	94	602-10000-20
	25	602-16000-12
	29	602-16000-13
	33	602-16000-14
	57	602-16000-17



*The dimensions of the motor-driven spindle pumps can vary due to the specification. Length from 1200-3000 mm are possible.
 For more detailed information, please contact us.*